

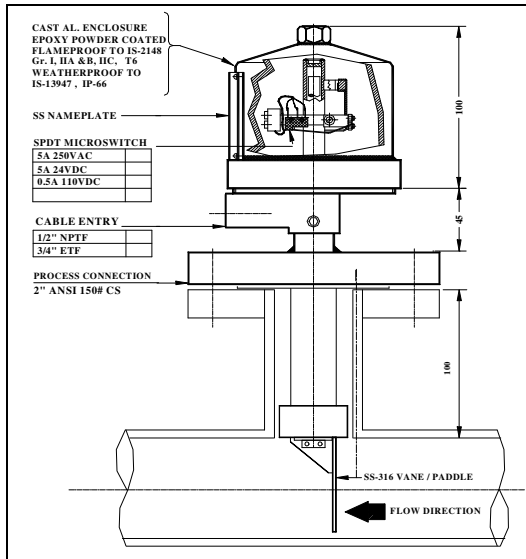
DAG

DAG FLOW SWITCH (VANE TYPE)

DAG Flow switches are **Vane / Paddle** Design used to detect **Flow / No-Flow** condition in a flow line. With sufficient Differential Pressure upstream and downstream of a Flow Vane; fluid flow is established. Increase in fluid flow moves **Paddle** towards a side which in turn moves a **Magnetic Sleeve**, attached through a Connecting Link, upwards inside a **Process Seal Pipe**. When this Magnetic Sleeve enters the Flux zone, a permanent magnet swings towards the seal pipe. This movement actuates a Microswitch (**NO-NC-COM**) change-over contacts and vice-versa. (Calibration has to be done against a Rotameter in work shop and is slightly settable). Mainly Flow-No Flow detection is achieved.

Flow of Fluid is important and not the Pressure in the system.

The standard switch mounts on a 2" Pipe 'Tee', an SS Flow Vane / Paddle, IP66, Cast Aluminium enclosure, SPDT Microswitch. & 3/4"ETF cable entry. (Flameproof Version to IS:2148 Gas Group I, IIA & IIB, T6)



Model decoding

- WP/** : Enclosure Weatherproof to IP66
FLP/ : Enclosure Flameproof to Gr.IIC, T6 or
FLP/ : Enclosure Flameproof to Gr.IIA & IIB, T6
FS : Flow Switch with SS flow Vane / Paddle
-50V : 2" ANSI 150# RF CS Flanged (SS Optional)
-75V : 3" ANSI 150# RF CS Flanged (SS Optional)
-50VSC : 2" BSPM / NPTM (SS Optional)
-40VSC : 1½" BSPM / NPTM (SS Optional)
-25VSC : 1" BSPM / NPTM (SS Optional)

Example :FLP/FS-50V

Flameproof to Gr.IIA & IIB, T6
 & Weatherproof to IP66
 Flow Switch, (Flow/No-Flow Detecting)
 2" ANSI 150# RF CS Flanged

Specifications

- Enclosure** : Cast Aluminium, Epoxy Powder Coated (SS/MS on request)
 Flameproof to IS:2148, Gr.IIA & IIB or Gr.IIC, Temperature Class T6
 Weatherproof to IS:13947; IP65, IP66 (IP67 on request)
- Mounting** : On-Line (Tapping of 2" flanged pipe with 100 mm Length)
 : On-Line (1", 1½" or 2" BSPM / NPTM on welded Socket)
- Adjustment** : Internal
- Element** : Flow Vane / Paddle, 25, 33mm x Length of Pipe ID
- Material** : SS-Vane / Paddle
- Switch** : SPDT Snap Acting Micro, Two SPDT optional
- Rating** : Upto 5A 250VAC / 5A 24VDC / 0.5A 110VDC
- Contact** : Silver / Gold Plated / Hermetically Sealed
- Differential** : Fixed minimum < 20%
- Repeatability** : ± 2%
- Temperature** : -10° to +100° C
- Process Conn.** : 1½", 2" Flange (ANSI 150#, 300#, 600# Optional) 2" BSPM / NPTM
- Cable Entry** : ¾"ETF, ½"NPTF (Others through adapter)

Dag Process Instruments Pvt.Ltd.

C4 Nandanvan Industrial Estate., Opp ACC Research Centre, LBS Marg, Thane 400604

Phone: + 91 22 25812695, 25812710 Fax: + 91 22-25832311 Email: dagprocess@vsnl.com

Manufacturers of Pressure, Level, Flow, Temperature Switches & Pressure, Air Flow Transmitters

Visit our site : www.dagprocess.com