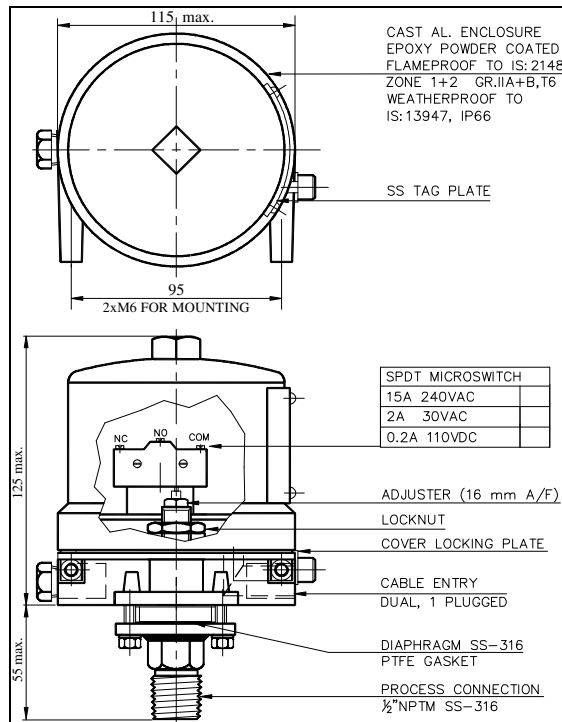


DAG Pressure switches are **diaphragm** operated, fixed differential type. Diaphragm movement is transferred to an **SPDT** switch, which gives **(NO-NC-COM)** change-over contacts. A counteracting **spring** is used to achieve the required settable range. Set point adjustment can be done internally using a 16mm across flat spanner. Turning in the adjuster (from right to left) increases the pressure setting & vice-versa. **Calibration** has to be done against a Pressure gauge. (*We do not provide an **indicating scale** because it has high **inaccuracy**, aging effect, is prone to manual error & believe that safety settings should be set against a test gauge only*).

The standard switch has an SS-316 Diaphragm, SS-316 wetted parts, SPDT Microswitch, IP66 Cast Aluminium Enclosure, Flameproof to Zone 1+2, Gr.IIA+IIB, T6, ¼"NPTF Process Connection & ¾"ETF single cable entry.



## Model decoding

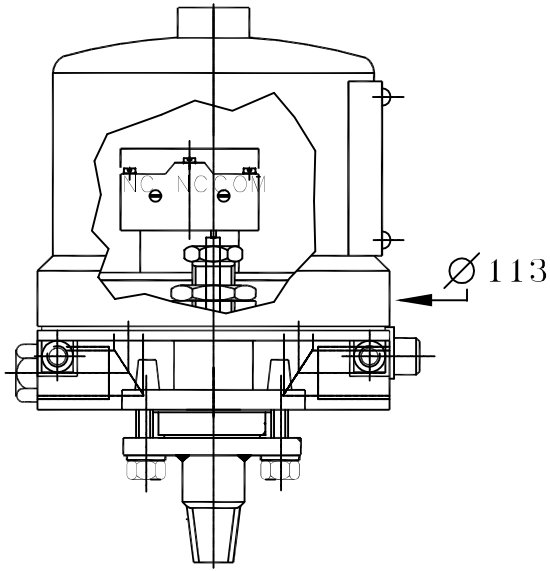
<b>FLP/</b>	: Flameproof & Weatherproof Enclosure
<b>A-2</b>	: Ranges upto 6 kg/cm <sup>2</sup>
<b>A-2H</b>	: Ranges upto 25 kg/cm <sup>2</sup>
<b>A-2HP</b>	: Ranges upto 40 kg/cm <sup>2</sup>
<b>A-2VHP</b>	: Ranges beyond 40 kg/cm <sup>2</sup>
<b>A-3</b>	: Ranges upto 6000 mmWC
<b>A-4</b>	: Ranges upto 400 mmWC
<b>C</b>	: ± Compound Range
<b>V</b>	: Vacuum
<b>D</b>	: Differential
<b>F</b>	: Flanged Process Connection
<b>T</b>	: PTFE Wetted Parts / Diaphragm only (-T)
<b>-DS</b>	: Diaphragm Sealed
<b>-H</b>	: Higher Pressure Protection
<b>-S</b>	: Special Wetted Parts / Diaph./ Construction
<b>-N</b>	: Nace MR-01-75 compatible wetted parts
<b>-P</b>	: Pneumatic output (Block & Bleed)
<b>Example</b>	: FLP/A-2CF-H-DS
	: Flameproof & Weatherproof Enclosure
	: ±Range, Flanged Conn., Diaphragm Sealed
	: Higher Pressure Protection (> 150% FSR)

## Specifications

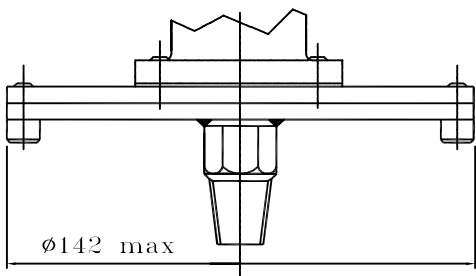
<b>Enclosure</b>	: Cast Aluminium, Epoxy Powder Coated (SS/MS optional) Flameproof to IS:2148, Zone 1&2, Gas Gr. IIA & IIB or IIC, Temperature Class T6 Weatherproof to IS:13947, IP66, 67
<b>Certifications</b>	: CMRI, BIS, CCE, ERTL
<b>Mounting</b>	: Direct / Wall / 2"Yoke
<b>Adjustment</b>	: Internal, Tamperproof with locknut
<b>Element</b>	: Formed Diaphragm / Piston
<b>Material</b>	: SS-316 / PTFE / Monel / Hastalloy'C' / Tantalum (Others on Request)
<b>Switch</b>	: SPDT / 2 SPDT (1 in Operation + 1 Mounted Spare - to protect life), Synchronised on request
<b>Contact</b>	: Silver / Gold Plated / Hermetically Sealed, Snap Acting Micro, Potential Free contacts
<b>Rating</b>	: Upto 5A, 15A 250VAC / 5A 24VDC / 0.5A 110VDC
<b>Differential</b>	: Fixed minimum < 5% FSR, < 8% FSR for 2SPDT & <16% FSR for 2SPDT Hermetically Sealed
<b>Accuracy</b>	: ± 1% FSR, ± 2% FSR (±0.5% FSR on Request)
<b>Repeatability</b>	: ± 1% FSR, ± 2% FSR (±0.5% FSR on Request)
<b>Overrange</b>	: 150% of FSR (Higher or Full Vacuum optional)
<b>Temperature</b>	: -40° to +100°C, -40° to +200°C, For higher mount remote
<b>Process Conn.</b>	: ¼"NPTF, ½"NPTM/F/BSPM, Flanged, Extended Diaphragm, Flush Diaphragm Diaphragm Sealed, Triclover Direct welded for Food Grade, (Size as per request)
<b>Material</b>	: SS-316 / Monel / CS / PTFE / PP, (Others on Request)
<b>Cable Entry</b>	: ¾"ETF, ½"NPTF (Others through adapter)
<b>O<sub>2</sub> Service</b>	: Duly De-Greased Wetted Parts

## Dag Process Instruments Pvt. Ltd.

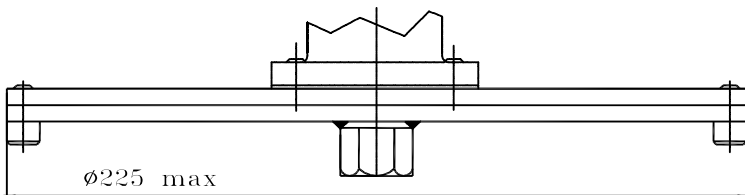
C4 Nandanvan Industrial Estate, Opp. ACC Research Centre, LBS Marg, Thane 400604  
 Phone: 25812695, 25812710 Fax: +91-22-25832311 Email: [dagprocess@vsnl.com](mailto:dagprocess@vsnl.com)  
 Manufacturers of Pressure, Level, Flow, Temperature Switches & Pressure Transmitters  
 Visit our site : [www.dagprocess.com](http://www.dagprocess.com)



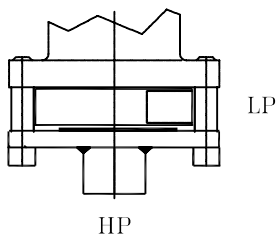
PROCESS CONNECTION A2



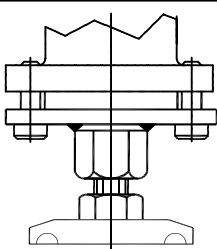
PROCESS CONNECTION A3/A4



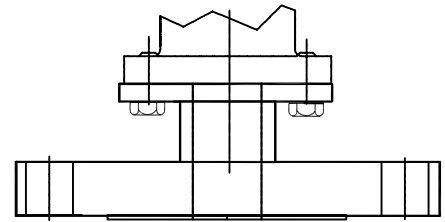
PROCESS CONNECTION A4



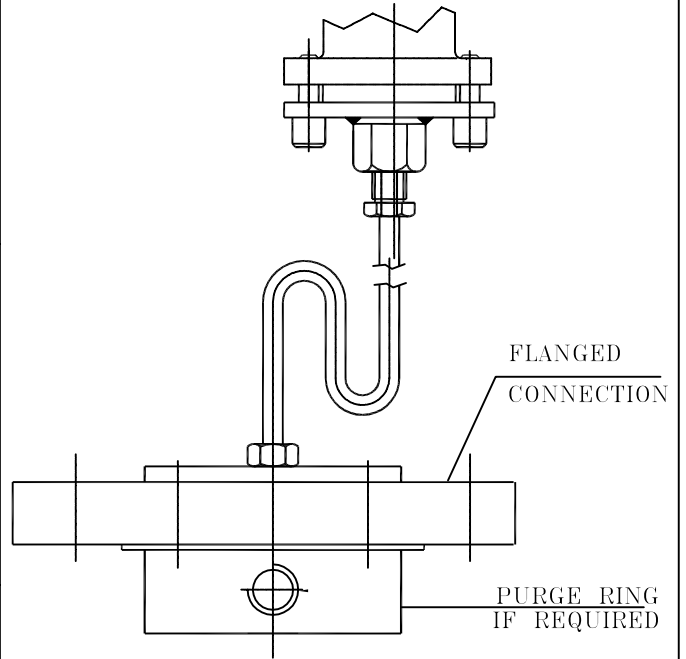
PROCESS CONNECTION D



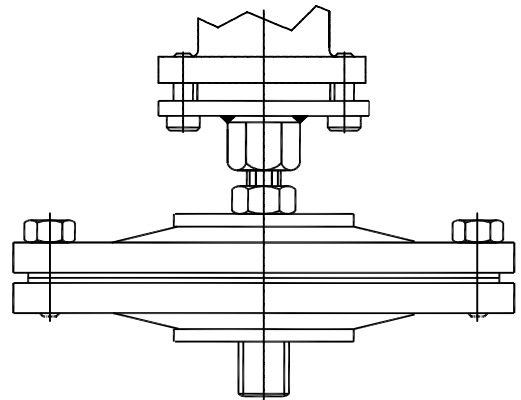
FOOD GRADE TRICLOVER  
BIO/PHARMA CONNECTION DS



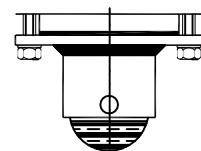
PROCESS CONNECTION F  
FLANGED



PROCESS CONNECTION DS  
REMOTE DIAPHRAGM SEAL



PROCESS CONNECTION  
DIRECT DIAPHRAGM SEAL DS



LIMIT SWITCH LM